



POWERBELT

- **Wrapped belts**
- **Cogged belts**
- **Double edge cogged belts**
- **Hexagonal belts**
- **Banded V-belts**
- **Agricultural belts**
- **Timing belts**
- **Polyurethane timing belts**
- **Poly rib v-belts**

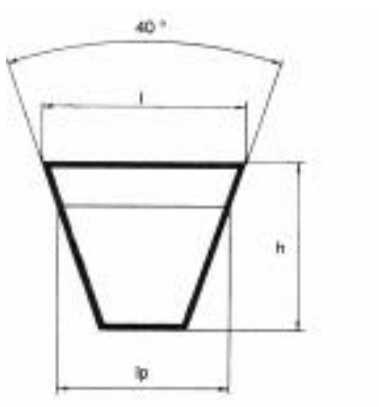
INDEX

1 - Wrapped V-Belt	P. 3
2 - Cogged V-Belt	P. 10
3 - Double Edge Cogged V-Belt	P. 14
4 - Hexagonal Belt	P. 15
5 - Banded V-Belt	P. 16
6 - Agricultural V-belt	P. 22
7 - Timing Belt	P. 23
8 - Polyurethane Timing Belt	P. 31
9 - Poly rib V-Belt	P. 33

1 - Wrapped V-Belt

Section for wedge wrapped V-belt : 3V - 5V – 8V – SPZ – SPA – SPB – SPC

Production type	Top Width l	Pitch Width	Height h	Angle	Length Range (inch)	Length Range (mm)	Factory Mark
3V	9	/	8	40°	15 - 208	406 - 5283	La
5V	15	/	13	40°	44 - 367	1118 - 9296	La
8V	25	/	23	40°	87 - 596	2210 - 15138	La
SPZ	10	8.5	8	40°	19 - 208	500 - 5283	La
SPA	13	11.0	10	40°	23 - 209	600 - 5300	La
SPB	17	14.0	14	40°	44 - 367	1120 - 9300	La
SPC	22	19.0	18	40°	54 - 591	1380 - 15000	La



Features

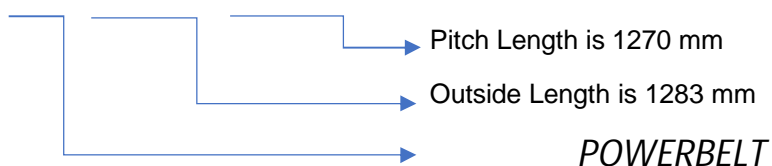
Wedge wrapped V-belts offer high transverse stiffness and transmission power 30 to 50 % higher than classical V-belts. The transmission limiting velocity reaches 40 m/s and the transmission efficiency over 95%.

Marking

Wedge wrapped V-belt fall into 2two categories : the metric SP series comprise of SPZ, SPA, SPB and SPC models.

Example of mark

SPZ 1283 La 1270 Lp



Type is SPZ

General Specifications

- antistatic : ISO 1813
- temperature of use : -20° to +80°C

Stocking conditions

- temperature must be between +5°C and +25°C.
- avoid direct sun light and high artificial light due to ultraviolet.
- avoid contact with chemical products, solvent, petrol, lubricant, acid, volatile components, greases.

SPZ - 10	mm	SPZ - 10	mm	SPZ 10	mm	SPA - 13	mm	SPA - 13	mm	SPB - 17	mm
Ref	Lp	Ref	Lp	Ref	Lp	Ref	Lp	Ref	Lp	Ref	Lp
SPZ512	512	SPZ1090	1090	SPZ1900	1900	SPA1132	1132	SPA2300	2300	SPB1800	1800
SPZ560	560	SPZ1112	1112	SPZ1937	1937	SPA1140	1140	SPA2307	2307	SPB1850	1850
SPZ562	562	SPZ1120	1120	SPZ1950	1950	SPA1150	1150	SPA2332	2332	SPB1860	1860
SPZ587	587	SPZ1137	1137	SPZ1987	1987	SPA1157	1157	SPA2360	2360	SPB1900	1900
SPZ612	612	SPZ1140	1140	SPZ2000	2000	SPA1180	1180	SPA2382	2382	SPB1930	1930
SPZ615	615	SPZ1150	1150	SPZ2037	2037	SPA1207	1207	SPA2430	2430	SPB1950	1950
SPZ630	630	SPZ1162	1162	SPZ2060	2060	SPA1215	1215	SPA2432	2432	SPB2000	2000
SPZ637	637	SPZ1180	1180	SPZ2120	2120	SPA1232	1232	SPA2482	2482	SPB2020	2020
SPZ662	662	SPZ1187	1187	SPZ2137	2137	SPA1250	1250	SPA2500	2500	SPB2060	2060
SPZ670	670	SPZ1200	1200	SPZ2160	2160	SPA1257	1257	SPA2532	2532	SPB2098	2098
SPZ687	687	SPZ1202	1202	SPZ2180	2180	SPA1272	1272	SPA2582	2582	SPB2120	2120
SPZ710	710	SPZ1212	1212	SPZ2187	2187	SPA1282	1282	SPA2607	2607	SPB2150	2150
SPZ722	722	SPZ1215	1215	SPZ2240	2240	SPA1285	1285	SPA2632	2632	SPB2180	2180
SPZ730	730	SPZ1237	1237	SPZ2262	2262	SPA1307	1307	SPA2650	2650	SPB2200	2200
SPZ737	737	SPZ1250	1250	SPZ2280	2280	SPA1320	1320	SPA2682	2682	SPB2240	2240
SPZ750	750	SPZ1262	1262	SPZ2287	2287	SPA1332	1332	SPA2732	2732	SPB2280	2280
SPZ760	760	SPZ1270	1270	SPZ2360	2360	SPA1357	1357	SPA2782	2782	SPB2300	2300
SPZ762	762	SPZ1285	1285	SPZ2410	2410	SPA1360	1360	SPA2800	2800	SPB2360	2360
SPZ772	772	SPZ1287	1287	SPZ2430	2430	SPA1382	1382	SPA2832	2832	SPB2391	2391
SPZ775	775	SPZ1312	1312	SPZ2500	2500	SPA1400	1400	SPA2847	2847	SPB2400	2400
SPZ787	787	SPZ1320	1320	SPZ2540	2540	SPA1407	1407	SPA2872	2872	SPB2410	2410
SPZ800	800	SPZ1337	1337	SPZ2650	2650	SPA1432	1432	SPA2882	2882	SPB2500	2500
SPZ812	812	SPZ1340	1340	SPZ2690	2690	SPA1450	1450	SPA2900	2900	SPB2530	2530
SPZ825	825	SPZ1347	1347	SPZ2800	2800	SPA1457	1457	SPA2932	2932	SPB2600	2600
SPZ837	837	SPZ1360	1360	SPZ2840	2840	SPA1482	1482	SPA2982	2982	SPB2650	2650
SPZ850	850	SPZ1362	1362	SPZ3000	3000	SPA1500	1500	SPA3000	3000	SPB2680	2680
SPZ862	862	SPZ1387	1387	SPZ3150	3150	SPA1507	1507	SPA3032	3032	SPB2800	2800
SPZ875	875	SPZ1400	1400	SPZ3350	3350	SPA1532	1532	SPA3082	3082	SPB2840	2840
SPZ887	887	SPZ1412	1412	SPZ3550	3550	SPA1550	1550	SPA3150	3150	SPB2850	2850
SPZ900	900	SPZ1420	1420	SPZ3750	3750	SPA1557	1557	SPA3182	3182	SPB2900	2900
SPZ912	912	SPZ1437	1437	SPA - 13	mm	SPA1582	1582	SPA3282	3282	SPB2990	2990
SPZ925	925	SPZ1450	1450	Ref	Lp	SPA1600	1600	SPA3350	3350	SPB3000	3000
SPZ937	937	SPZ1462	1462	SPA732	732	SPA1607	1607	SPA3382	3382	SPB3150	3150
SPZ950	950	SPZ1487	1487	SPA757	757	SPA1632	1632	SPA3550	3550	SPB3250	3250
SPZ962	962	SPZ1500	1500	SPA782	782	SPA1650	1650	SPA3650	3650	SPB3320	3320
SPZ975	975	SPZ1512	1512	SPA800	800	SPA1657	1657	SPA3750	3750	SPB3350	3350
SPZ987	987	SPZ1520	1520	SPA807	807	SPA1682	1682	SPA4000	4000	SPB3450	3450
SPZ1000	1000	SPZ1537	1537	SPA819	819	SPA1700	1700	SPA4250	4250	SPB3550	3550
SPZ1010	1010	SPZ1550	1550	SPA832	832	SPA1707	1707	SPA4500	4500	SPB3650	3650
SPZ1012	1012	SPZ1562	1562	SPA850	850	SPA1732	1732	SPA5000	5000	SPB3750	3750
SPZ1024	1024	SPZ1575	1575	SPA857	857	SPA1750	1750	SPB - 17	mm	SPB3800	3800
SPZ1025	1025	SPZ1587	1587	SPA882	882	SPA1757	1757	Ref	Lp	SPB3870	3870
SPZ1030	1030	SPZ1600	1600	SPA900	900	SPA1782	1782	SPB1250	1250	SPB4000	4000
SPZ1037	1037	SPZ1612	1612	SPA907	907	SPA1800	1800	SPB1260	1260	SPB4120	4120
SPZ1047	1047	SPZ1637	1637	SPA925	925	SPA1807	1807	SPB1320	1320	SPB4250	4250
SPZ1060	1060	SPZ1650	1650	SPA932	932	SPA1832	1832	SPB1340	1340	SPB4500	4500
SPZ1062	1062	SPZ1662	1662	SPA950	950	SPA1850	1850	SPB1360	1360	SPB4750	4750
SPZ1077	1077	SPZ1687	1687	SPA957	957	SPA1857	1857	SPB1400	1400	SPB4820	4820
SPZ1080	1080	SPZ1700	1700	SPA975	975	SPA1882	1882	SPB1410	1410	SPB4870	4870
SPZ1087	1087	SPZ1737	1737	SPA982	982	SPA1900	1900	SPB1450	1450	SPB5000	5000
SPZ1090	1090	SPZ1750	1750	SPA1000	1000	SPA1907	1907	SPB1500	1500	SPB5300	5300
SPZ1112	1112	SPZ1762	1762	SPA1007	1007	SPA1932	1932	SPB1510	1510	SPB5600	5600
SPZ1120	1120	SPZ1782	1782	SPA1030	1030	SPA1950	1950	SPB1550	1550	SPB6000	6000
SPZ1137	1137	SPZ1787	1787	SPA1032	1032	SPA1957	1957	SPB1590	1590	SPB6300	6300
SPZ1140	1140	SPZ1800	1800	SPA1057	1057	SPA1982	1982	SPB1600	1600	SPB6700	6700
SPZ1150	1150	SPZ1812	1812	SPA1060	1060	SPA2000	2000	SPB1650	1650	SPB7100	7100
SPZ1162	1162	SPZ1837	1837	SPA1082	1082	SPA2032	2032	SPB1690	1690	SPB7500	7500
SPZ1180	1180	SPZ1850	1850	SPA1090	1090	SPA2057	2057	SPB1700	1700	SPB8000	8000
SPZ1187	1187	SPZ1862	1862	SPA1107	1107	SPA2060	2060	SPB1750	1750		
		SPZ1887	1887	SPA1120	1120	SPA2082	2082	SPB1778	1778		

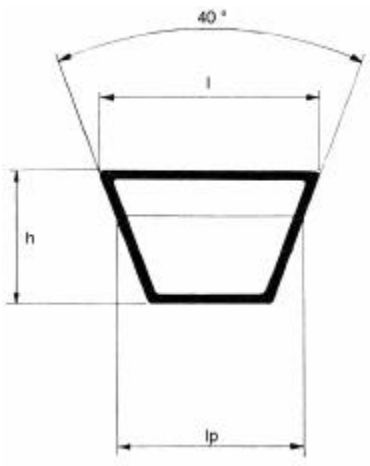
Lp = Pitch Length

SPC - 22 Ref	mm Lp	SPC - 22 Ref	mm Lp	SPC - 22 Ref	mm Lp	SPC - 22 Ref	mm Lp	SPC - 22 Ref	mm Lp	SPC - 22 Ref	mm Lp
SPC2000	2000	SPC3000	3000	SPC4500	4500	SPC6500	6500	SPC10000	10000	SPC14200	14200
SPC2120	2120	SPC3150	3150	SPC4750	4750	SPC6700	6700	SPC10600	10600	SPC15000	15000
SPC2240	2240	SPC3350	3350	SPC5000	5000	SPC7100	7100	SPC11200	11200		
SPC2360	2360	SPC3550	3550	SPC5300	5300	SPC7500	7500	SPC11800	11800		
SPC2500	2500	SPC3750	3750	SPC5600	5600	SPC8000	8000	SPC12000	12000		
SPC2550	2550	SPC4000	4000	SPC5800	5800	SPC8500	8500	SPC12500	12500		
SPC2650	2650	SPC4100	4100	SPC6000	6000	SPC9000	9000	SPC13500	13500		
SPC2800	2800	SPC4250	4250	SPC6300	6300	SPC9500	9500	SPC13800	13800		

Lp = Pitch Length

Section for classical wrapped V-belt : Z – A – B – C – D – E

Production type	Top Width l	Pitch Width	Height h	Angle	Length Range (inch)	Length Range (mm)	Factory Mark
Z	10	8.5	6	40°	13 - 197	350-5000	Li
A	13	11	8	40°	13 - 355	356-9000	Li
B	17	14	11	40°	19 - 591	483-15808	Li
C	25	19	14	40°	39 - 630	1000-16000	Li
D	32	27	19	40°	86 - 640	2200-16000	Li
E	38	32	27	40°	117 - 650	2997-16500	Li



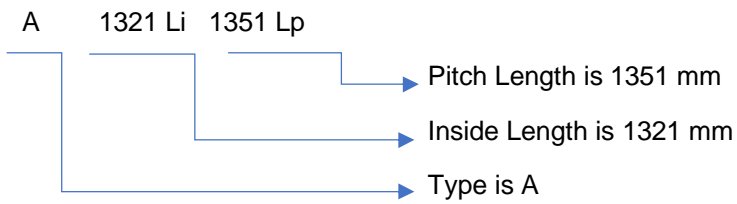
Features

Classical wrapped V-belts feature high strength, small matching tolerance and a fatigue endurance limit of over 10^7 times.

Marking

The marking of classical wrapped V-belt represent both the inside length and pitch length of factory V-belts. The length conversion table is available for conversion between various models

Example of mark



General Specifications

- antistatic : ISO 1813
- temperature of use : -20° to +80°C

Stocking conditions

- temperature must be between +5°C and +25°C.
- avoid direct sun light and high artificial light due to ultraviolet.
- avoid contact with chemical products, solvent, petrol, lubricant, acid, volatile components, greases.

Z - 10		Z - 10		A - 13		A - 13		B - 17		B - 17	
Ref	Li	Ref	Li	Ref	Li	Ref	Li	Ref	Li	Ref	Li
Z16	425	Z65	1651	A51	1300	A124	3150	B63	1600	B114	2900
Z17.5	450	Z66	1675	A52	1320	A128	3250	B64	1625	B115	2921
Z18.5	475	Z67	1700	A53	1350	A132	3350	B64.5	1645	B116	2950
Z19	485	Z68	1725	A55	1400	A134	3410	B65	1650	B118	3000
Z19.5	500	Z69	1750	A56	1430	A136	3455	B66	1700	B120	3060
Z20	515	Z70	1775	A57	1450	A140	3550	B66.25	1685	B122	3100
Z20.5	530	Z71	1800	A58	1475	A144	3660	B66.5	1695	B124	3150
Z22	560	Z73	1850	A59	1500	A147	3750	B67	1725	B126	3200
Z22.5	575	Z75	1900	A60	1525	A148	3750	B68	1750	B127	3230
Z23.5	600	Z78	1975	A61	1550	A158	4000	B69	1765	B128	3250
Z24	610	Z79	2000	A62	1575	A167	4250	B69.5	1760	B130	3310
Z25	630	Z83.5	2120	A63	1600	A173	4400	B70	1800	B131	3350
Z26	653	Z88	2240	A64	1625	A180	4575	B71	1815	B132	3350
Z26.5	670	Z93	2360	A65	1655	A195	4915	B72	1850	B133	3390
Z28	710	Z98	2500	A66	1680	A196	4985	B73	1865	B134	3415
Z28.5	725	A - 13	mm	A67	1700	B - 17	mm	B74	1900	B135	3435
Z29	730	Ref	Li	A68	1730	Ref	Li	B75	1915	B136	3460
Z29.5	750	A18	457	A69	1760	B25	650	B76	1950	B138	3505
Z30.5	775	A19	480	A70	1780	B26	670	B77	1970	B140	3550
Z31	785	A20	508	A71	1800	B27	695	B78	2000	B142	3600
Z31.5	800	A21	535	A72	1830	B27.5	710	B79	2020	B144	3670
Z32.5	825	A22	560	A73	1860	B28	725	B80	2040	B146	3700
Z33.5	850	A23	590	A74	1880	B29	750	B81	2060	B147	3750
Z34	865	A23.5	600	A75	1900	B30	775	B83	2120	B148	3770
Z34.5	875	A24	615	A76	1930	B31	800	B84	2145	B150	3810
Z35.5	900	A24.5	630	A77	1960	B32	825	B85	2160	B151	3850
Z36	910	A25	650	A78	1980	B32.5	825	B86	2200	B152	3870
Z37	935	A26	670	A79	2000	B33	850	B87	2220	B154	3912
Z37.5	950	A27	690	A80	2040	B34	875	B88	2240	B155	3950
Z38.5	975	A27.5	700	A81	2060	B35	900	B89	2270	B156	3962
Z39	980	A28	710	A82	2090	B36	925	B90	2300	B157	4000
Z39.5	1000	A28.5	725	A83	2120	B36.75	937	B91	2325	B158	4025
Z40	1016	A29.5	750	A84	2140	B37	950	B92	2360	B160	4064
Z41	1040	A30	775	A84.5	2150	B38	975	B93	2375	B161	4090
Z41.5	1050	A31	800	A85	2160	B38.5	975	B94	2400	B162	4125
Z42	1060	A32	825	A86	2200	B39	1000	B95	2425	B163	4145
Z44	1120	A32.5	825	A87	2215	B40	1030	B96	2450	B165	4200
Z45	1150	A33	850	A88	2240	B41	1060	B97	2475	B167	4250
Z45.5	1160	A34	875	A89	2265	B42	1075	B97.5	2480	B168	4270
Z46	1180	A35	900	A90	2300	B43	1100	B98	2500	B173	4400
Z47	1200	A36	925	A91	2320	B44	1120	B99	2525	B175	4450
Z48	1225	A37	950	A92	2345	B45	1150	B100	2540	B177	4500
Z48.5	1230	A38	975	A93	2360	B46	1180	B101	2565	B180	4580
Z49	1250	A38.5	975	A94	2400	B47	1200	B102	2600	B186	4750
Z50	1275	A39	1000	A95	2420	B47.5	1215	B103	2625	B187	4750
Z51	1300	A40	1030	A96	2440	B48	1225	B104	2650	B188	4780
Z52	1320	A40.5	1030	A97	2475	B49	1250	B105	2680	B195	4960
Z53	1346	A41	1050	A98	2500	B50	1275	B106	2700	B196	5000
Z54	1371	A41.5	1060	A100	2540	B51	1300	B107	2718	B197	5000
Z55	1400	A42	1075	A102	2590	B52	1335	B108	2755	B204	5200
Z56	1422	A43	1100	A104	2650	B53	1360	B110	2800	B208	5300
Z57	1450	A44	1125	A105	2670	B54	1385	B112	2850	B210	5345
Z58	1475	A45	1150	A107	2725	B55	1400	B114	2900	B217	5510
Z59	1500	A46	1180	A108	2750	B56	1435	B115	2921	B220	5600
Z60	1524	A46.5	1180	A110	2800	B57	1460	B116	2950	B221	5600
Z61	1550	A47	1200	A112	2850	B58	1485	B118	3000	B223	5635
Z62	1575	A47.5	1215	A114	2896	B59	1500	B120	3060	B224	5660
Z63	1600	A48	1225	A116	2946	B60	1535	B122	3100	B225	5690
Z63.5	1600	A49	1250	A118	3000	B61	1560	B124	3150	B228	5760
Z64	1626	A50	1275	A120	3050	B62	1585	B126	3200	B229	5785

Li = inside Length

B - 17		C - 22		C - 22		C - 22		C - 22		D - 32	
Ref	mm	Ref	mm	Ref	mm	Ref	mm	Ref	mm	Ref	mm
B236	6000	C53	1350	C88	2240	C136	3450.00	C236	6000	D140	3550
B237	6000	C54	1375	C89	2261	C138	3505.00	C238	6000	D144	3660
B248	6300	C55	1400	C90	2300	C140	3550.00	C240	6050	D158	4000
B249	6300	C56	1425	C92	2360	C142	3607.00	C248	6250	D162	4115
B253	6395	C57	1450	C93	2375	C144	3670.00	C250	6300	D170	4320
B255	6445	C58	1475	C94	2388	C146	3700.00	C255	6440	D173	4400
B259	6545	C59	1500	C95	2425	C147	3750.00	C264	6700	D177	4500
B264	6700	C60	1525	C96	2460	C148	3750.00	C265	6700	D180	4570
B265	6700	C61	1550	C97	2475	C150	3810.00	C270	6820	D187	4750
B270	6830	C62	1600	C98	2500	C153	3900.00	C280	7100	D195	4955
B276	7000	C63	1600	C99	2525	C158	4000.00	C285	7200	D197	5000
B280	7100	C65	1665	C100	2560	C160	4067.00	C295	7500	D204	5180
B285	7210	C66	1700	C101	2580	C162	4130.00	C300	7580	D210	5335
B300	7620	C67	1700	C102	2600	C165	4200.00	C303	7652	D223	5600
B315	7970	C68	1750	C104	2650	C166	4216.00	C314	7982	D240	6030
B330	8350	C69	1750	C105	2675	C167	4250.00	C315	8000	D250	6300
B345	8830	C70	1800	C106	2692	C168	4267.00	C316	8000	D270	6800
B360	9110	C71	1830	C108	2750	C170	4318.00	C330	8340	D282	7100
B361	9135	C72	1840	C110	2800	C173	4400.00	C336	8500	D298	7500
B364	9210	C73	1854	C111	2760	C175	4445.00	C345	8727	D300	7555
B366	9265	C74	1900	C112	2860	C177	4500.00	C360	9112	D315	8007
B394	9975	C75	1920	C114	2896	C180	4575.00	C394	10000	D316	7967
B433	10960	C76	1930	C115	2935	C187	4750.00	C420	10637	D330	8320
B472	11960	C77	1956	C116	2965	C190	4826.00	C424	10737	D345	8770
C - 22	mm	C78	2000	C117	2965	C195	5000.00	D - 32	mm	D360	9080
Ref	Li	C79	2000	C118	3000	C197	5000.00	Ref	Li	D371	9421
C42	1080	C80	2032	C120	3050	C208	5300.00	D98	2500	D394	9984
C43	1100	C81	2070	C122	3099	C209	5309.00	D104	2650	D420	10672
C46	1180	C82	2100	C124	3150	C210	5340.00	D110	2800	D441	11207
C47	1200	C83	2120	C126	3200	C216	5492.00	D112	2850	D450	11435
C48	1230	C84	2134	C128	3250	C220	5600.00	D120	3050	D480	12197
C49	1250	C85	2170	C130	3300	C222	5600.00	D124	3150	D540	13721
C51	1320	C86	2184	C132	3350	C225	5675.00	D128	3250	D600	15246
C52	1320	C87	2210	C134	3415	C228	5757.00	D137	3480	D660	16771

Li = inside Length

2 - Cogged V-Belt

Wedge raw edge cogged V-belt

Production type	Top Width l	Pitch Width	Height h	Angle	Length Range (inch)	Length Range (mm)	Factory Mark
3VX	9	/	8	40°	20 - 200	508 - 5080	La
5VX	15	/	13.5	40°	30- 200	762 - 5080	La
8VX	25	/	22.5	40°	100 - 202	2450 - 5130	La
XPZ	10	8.5	8	40°	21 - 199	550 - 5054	La
XPA	13	11.0	10	40°	22 - 200	563 - 5067	La
XPB	17	14.0	14	40°	25 - 201	653 - 5096	La
XPC	22	19.0	18	40°	26 - 202	684 - 5117	La



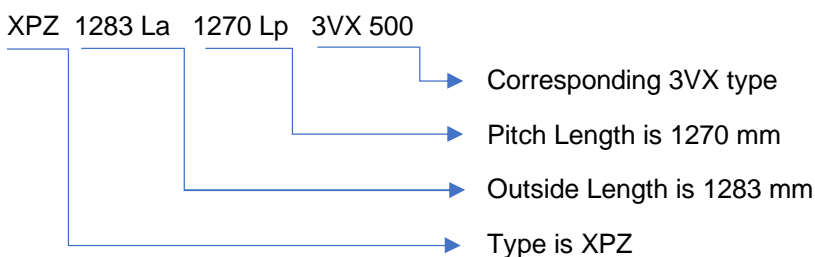
Features

Wedge raw edge cogged V-belts feature large friction coefficient, small friction loss, High transmission efficiency. Long service life. They can absorb transmission vibration noises and the fatigue endurance reaches over 10^8 times.

Marking

Wedge raw edge cogged V-belts fall into two categories : The metric SP series comprise of XPZ, XPA,XPB and XPC models.The Inch V series include 3VX and 5VX models. V-belts of these types are marked according to the outside length of factory V-belts. Specific noting should be made on the order list if the customer has special requirements. The length conversion table is available for conversion between various models.

Example of mark



POWERBELT

General Specifications

- antistatic : ISO 1813
- temperature of use : -20° to +80°C

Stocking conditions

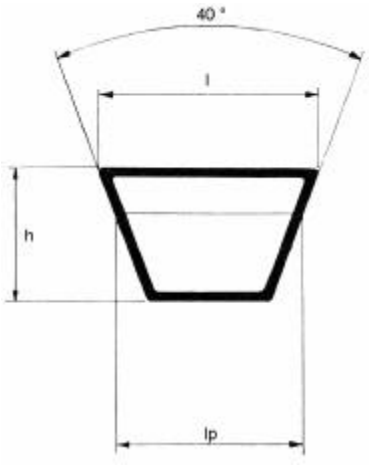
- temperature must be between +5°C and +25°C.
- avoid direct sun light and high artificial light due to ultraviolet.
- avoid contact with chemical products, solvent, petrol, lubricant, acid, volatile components, greases.

XPZ - 10	mm	XPZ - 10	mm	XPZ 10	mm	XPA - 13	mm	XPA - 13	mm	XPB - 17	mm
Ref	Lp	Ref	Lp	Ref	Lp	Ref	Lp	Ref	Lp	Ref	Lp
XPZ560	560	XPZ1090	1090	XPZ1900	1900	XPA1132	1132	XPA2300	2300	XPB1800	1800
XPZ562	562	XPZ1112	1112	XPZ1937	1937	XPA1140	1140	XPA2307	2307	XPB1850	1850
XPZ587	587	XPZ1120	1120	XPZ1950	1950	XPA1150	1150	XPA2332	2332	XPB1860	1860
XPZ612	612	XPZ1137	1137	XPZ1987	1987	XPA1157	1157	XPA2360	2360	XPB1900	1900
XPZ615	615	XPZ1140	1140	XPZ2000	2000	XPA1180	1180	XPA2382	2382	XPB1930	1930
XPZ630	630	XPZ1150	1150	XPZ2037	2037	XPA1207	1207	XPA2430	2430	XPB1950	1950
XPZ637	637	XPZ1162	1162	XPZ2060	2060	XPA1215	1215	XPA2432	2432	XPB2000	2000
XPZ662	662	XPZ1180	1180	XPZ2120	2120	XPA1232	1232	XPA2482	2482	XPB2020	2020
XPZ670	670	XPZ1187	1187	XPZ2137	2137	XPA1250	1250	XPA2500	2500	XPB2060	2060
XPZ687	687	XPZ1200	1200	XPZ2160	2160	XPA1257	1257	XPA2532	2532	XPB2098	2098
XPZ710	710	XPZ1202	1202	XPZ2180	2180	XPA1272	1272	XPA2582	2582	XPB2120	2120
XPZ722	722	XPZ1212	1212	XPZ2187	2187	XPA1282	1282	XPA2607	2607	XPB2150	2150
XPZ730	730	XPZ1215	1215	XPZ2240	2240	XPA1285	1285	XPA2632	2632	XPB2180	2180
XPZ737	737	XPZ1237	1237	XPZ2262	2262	XPA1307	1307	XPA2650	2650	XPB2200	2200
XPZ750	750	XPZ1250	1250	XPZ2280	2280	XPA1320	1320	XPA2682	2682	XPB2240	2240
XPZ760	760	XPZ1262	1262	XPZ2287	2287	XPA1332	1332	XPA2732	2732	XPB2280	2280
XPZ762	762	XPZ1270	1270	XPZ2360	2360	XPA1357	1357	XPA2782	2782	XPB2300	2300
XPZ772	772	XPZ1285	1285	XPZ2410	2410	XPA1360	1360	XPA2800	2800	XPB2360	2360
XPZ775	775	XPZ1287	1287	XPZ2430	2430	XPA1382	1382	XPA2832	2832	XPB2391	2391
XPZ787	787	XPZ1312	1312	XPZ2500	2500	XPA1400	1400	XPA2847	2847	XPB2410	2410
XPZ800	800	XPZ1320	1320	XPZ2540	2540	XPA1407	1407	XPA2872	2872	XPB2500	2500
XPZ812	812	XPZ1337	1337	XPZ2650	2650	XPA1432	1432	XPA2882	2882	XPB2530	2530
XPZ825	825	XPZ1340	1340	XPZ2690	2690	XPA1450	1450	XPA2900	2900	XPB2600	2600
XPZ837	837	XPZ1347	1347	XPZ2800	2800	XPA1457	1457	XPA2932	2932	XPB2650	2650
XPZ850	850	XPZ1360	1360	XPZ2840	2840	XPA1482	1482	XPA2982	2982	XPB2680	2680
XPZ862	862	XPZ1362	1362	XPZ3000	3000	XPA1500	1500	XPA3000	3000	XPB2800	2800
XPZ875	875	XPZ1387	1387	XPZ3150	3150	XPA1507	1507	XPA3032	3032	XPB2840	2840
XPZ887	887	XPZ1400	1400	XPZ3350	3350	XPA1532	1532	XPA3082	3082	XPB2990	2990
XPZ900	900	XPZ1412	1412	XPZ3550	3550	XPA1550	1550	XPA3150	3150	XPB3000	3000
XPZ912	912	XPZ1420	1420	XPZ3750	3750	XPA1557	1557	XPA3182	3182	XPB3150	3150
XPZ925	925	XPZ1437	1437	XPA - 13	mm	XPA1582	1582	XPA3282	3282	XPB3320	3320
XPZ937	937	XPZ1450	1450	Ref	Lp	XPA1600	1600	XPA3350	3350	XPB3350	3350
XPZ950	950	XPZ1462	1462	XPA732	732	XPA1607	1607	XPA3382	3382	XPB3650	3650
XPZ962	962	XPZ1487	1487	XPA757	757	XPA1632	1632	XPA3550	3550	XPB3750	3750
XPZ975	975	XPZ1500	1500	XPA782	782	XPA1650	1650	XPA3650	3650	XPB4000	4000
XPZ987	987	XPZ1512	1512	XPA800	800	XPA1657	1657	XPA3750	3750	XPB4250	4250
XPZ1000	1000	XPZ1520	1520	XPA807	807	XPA1682	1682	XPA4000	4000	XPB4500	4500
XPZ1010	1010	XPZ1537	1537	XPA819	819	XPA1700	1700	XPA4250	4250	XPB4750	4750
XPZ1012	1012	XPZ1550	1550	XPA832	832	XPA1707	1707	XPA4500	4500	XPB5000	5000
XPZ1024	1024	XPZ1562	1562	XPA850	850	XPA1732	1732	XPA5000	5000	XPC - 22	mm
XPZ1025	1025	XPZ1575	1575	XPA857	857	XPA1750	1750	XPB - 17	mm	Ref	Lp
XPZ1030	1030	XPZ1587	1587	XPA882	882	XPA1757	1757	Ref	Lp	XPC2000	2000
XPZ1037	1037	XPZ1600	1600	XPA900	900	XPA1782	1782	XPB1250	1250	XPC2120	2120
XPZ1047	1047	XPZ1612	1612	XPA907	907	XPA1800	1800	XPB1260	1260	XPC2240	2240
XPZ1060	1060	XPZ1637	1637	XPA925	925	XPA1807	1807	XPB1320	1320	XPC2360	2360
XPZ1062	1062	XPZ1650	1650	XPA932	932	XPA1832	1832	XPB1340	1340	XPC2500	2500
XPZ1077	1077	XPZ1662	1662	XPA950	950	XPA1850	1850	XPB1360	1360	XPC2550	2550
XPZ1080	1080	XPZ1687	1687	XPA957	957	XPA1857	1857	XPB1400	1400	XPC2650	2650
XPZ1087	1087	XPZ1700	1700	XPA975	975	XPA1882	1882	XPB1410	1410	XPC2800	2800
XPZ1090	1090	XPZ1737	1737	XPA982	982	XPA1900	1900	XPB1450	1450	XPC3000	3000
XPZ1112	1112	XPZ1750	1750	XPA1000	1000	XPA1907	1907	XPB1500	1500	XPC3150	3150
XPZ1120	1120	XPZ1762	1762	XPA1007	1007	XPA1932	1932	XPB1510	1510	XPC3350	3350
XPZ1137	1137	XPZ1782	1782	XPA1030	1030	XPA1950	1950	XPB1550	1550	XPC3550	3550
XPZ1140	1140	XPZ1787	1787	XPA1032	1032	XPA1957	1957	XPB1590	1590	XPC3750	3750
XPZ1150	1150	XPZ1800	1800	XPA1057	1057	XPA1982	1982	XPB1600	1600	XPC4000	4000
XPZ1162	1162	XPZ1812	1812	XPA1060	1060	XPA2000	2000	XPB1650	1650	XPC4100	4100
XPZ1180	1180	XPZ1837	1837	XPA1082	1082	XPA2032	2032	XPB1690	1690	XPC4250	4250
XPZ1187	1187	XPZ1850	1850	XPA1090	1090	XPA2057	2057	XPB1700	1700	XPC4500	4500
XPZ1180	1180	XPZ1862	1862	XPA1107	1107	XPA2060	2060	XPB1750	1750	XPC4750	4750
XPZ1187	1187	XPZ1887	1887	XPA1120	1120	XPA2082	2082	XPB1778	1778	XPC5000	5000

Lp = Pitch Length

Classical raw edge cogged V-belt

Production type	Top Width l	Pitch Width	Height h	Angle	Length Range (inch)	Length Range (mm)	Factory Mark
ZX	10	8.5	6	40°	19 - 198	500 - 5004	Li
AX	13	11.0	8	40°	19 - 198	500 - 5004	Li
BX	17	14.0	11	40°	22 - 198	571 - 5004	Li
CX	22	19.0	14	40°	22 - 198	571 - 5004	Li



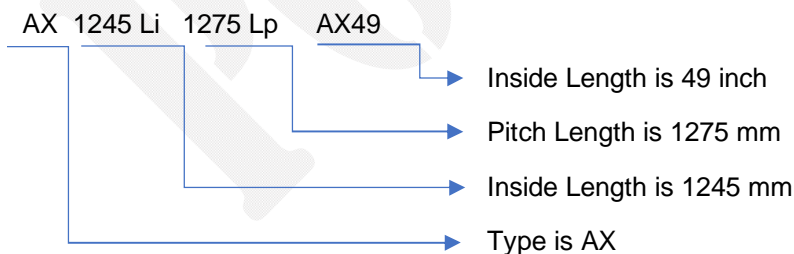
Features

Classical raw edge cogged V-belts feature large friction coefficient, small friction loss, High transmission efficiency. Long service life. They can absorb transmission vibration noises and the fatigue endurance reaches over 10^8 times.

Marking

The marking of classical raw edge cogged V-belts show the inside length of factory belt. The length conversion table is available for conversion between various models.

Example of mark



3 – Double Edge Cogged V-Belt

Production type	Pitch Width	Height	Angle	Length Range (inch)	Length Range (mm)	Factory Mark
AAX	12.8	12	38°	23 - 97	600 - 2450	Li
BBX	16.7	13.5	38°	23 - 97	600 - 2450	Li

Features

Double-sided belt. Also known as hexagonal belt, with a number of working face, can be applied to textile, agricultural machinery and other multi-axis wheel serpentine drive and counterclockwise direction of the same driving conditions, such as corn thresher , the biggest advantage is to save space for the transmission device and the mechanical equipment and the production can be more flexible, more efficient. Double-sided toothed side belt with respect to the double-sided cloth, with better bending performance, grater transmission power. Relative to the gear drive can play a role in overload protection.

Marking

The marking of industrial cutting edge joint belt represent the inside length of factory V-belts. The length conversion table is available for conversion between various models.

Example of mark

AAX 2450



4 Hexagonal belt

Production type	Top Width	Height	Angle	Length Range (inch)	Length Range (mm)	Factory Mark
HAA	13	10	40°	40 - 209	1041 - 5300	Li
HBB	17	13	40°	44 - 363	118 - 9200	Li
HCC	22	17	40°	62 - 363	1600 - 9200	Li

Features

With multiple working surface, double V-belt offer great flexibility and applicable to multiple shaft transmission systems such as spinning and agricultural machines as well as calling “Hexagonal belts”

Marking

The marking of double V-belts show the inside length of factory V-belts. The length conversion table is available for conversion between different models.

Example of mark

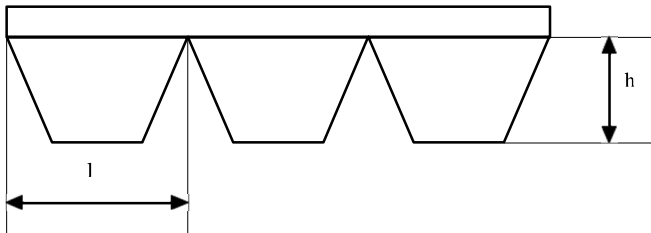
HAA 2800 Li



5 Banded V-BELT

Banded wedge V belt

Production type	Top Width l	Pitch Distance	Height h	Angle	Length Range (inch)	Length Range (mm)	Factory Mark
SPZJ	10.5	/	10	40°	59 - 107	1500 - 2700	La
SPAJ	13.6	/	12.3	40°	59 - 197	1500 - 5000	La
SPBJ	17	/	16.5	40°	98 - 355	2500 - 9000	La
SPCJ	22	/	21	40°	86 - 591	2200 - 15000	La



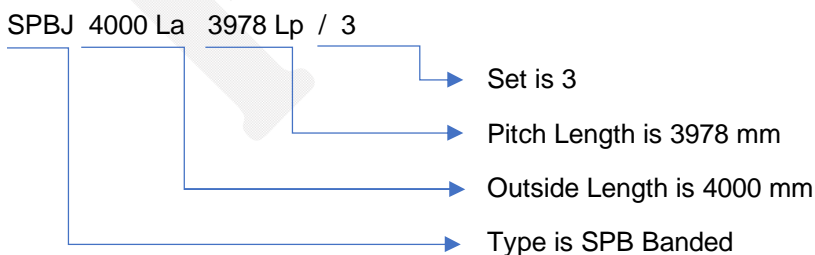
Features

Banded wedge V-belts are composed of multiple narrow V-belts which are connected into a whole. They effectively solve problems such as wobbling, smacking and turning over occurred in single belt operation while ensuring equal stress of each belt and a large conveying load.

Marking

The marking of banded wedge V-belts stipulates model types banding number and length with factory mark in sequence. V-belts of the types are marked according to the outside length of factory V-belts. Specific noting should be made on the order list if the customer has special requirements. The length conversion table is available for conversion between various models.

Example of mark



SPBJ & SPCJ references

reference	La Length	reference	La Length	reference	La Length	reference	La Length
SPBJ2120	2120	SPBJ4250	4250	SPCJ3000	3000	SPCJ6000	6000
SPBJ2240	2240	SPBJ4500	4500	SPCJ3150	3150	SPCJ6300	6300
SPBJ2360	2360	SPBJ4750	4750	SPCJ3350	3350	SPCJ6700	6700
SPBJ2500	2500	SPBJ5000	5000	SPCJ3550	3550	SPCJ7100	7100
SPBJ2650	2650	SPBJ5300	5300	SPCJ3750	3750	SPCJ7500	7500
SPBJ2800	2800	SPBJ5600	5600	SPCJ4000	4000	SPCJ8000	8000
SPBJ3000	3000	SPBJ6000	6000	SPCJ4250	4250	SPCJ8500	8500
SPBJ3150	3150	SPBJ6300	6300	SPCJ4500	4500	SPCJ9000	9000
SPBJ3350	3350	SPBJ6700	6700	SPCJ4750	4750	SPCJ10000	10000
SPBJ3550	3550	SPBJ7100	7100	SPCJ5000	5000	SPCJ10600	10600
SPBJ3750	3750	SPBJ7500	7500	SPCJ5300	5300	SPCJ11200	11200
SPBJ4000	4000	SPBJ8000	8000	SPCJ5600	5600		

La = Outside Length

Banded wedge V belt

Production type	Top Width	Pitch Distance	Height	Angle	Length Range (inch)	Length Range (mm)	Factory Mark
3V (9J)	9.7	10.3	9.7	40°	49 - 197	1250 - 5000	Le
5V (15J)	15.7	17.5	15.7	40°	49 - 591	1250 - 15000	Le
8V (25J)	25.4	28.6	25.4	40°	118 - 591	3000 - 15000	Le

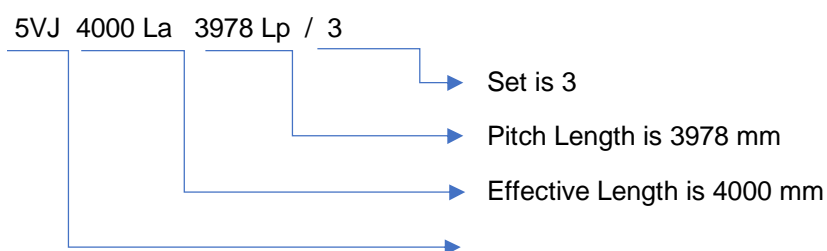
Features

Banded wedge V-belts are composed of multiple narrow V-belts which are connected into a whole. They effectively solve problems such as wobbling, smacking and turning over occurred in single belt operation while ensuring equal stress of each belt and a large conveying load.

Marking

The marking of banded wedge V-belts stipulates model types banding number and length with factory mark in sequence. V-belts of the types are marked according to the outside length of factory V-belts. Specific noting should be made on the order list if the customer has special requirements. The length conversion table is available for conversion between various models.

Example of mark 3VJ et 5VJ



POWERBELT

Type is 5VJ Banded

3VJ references

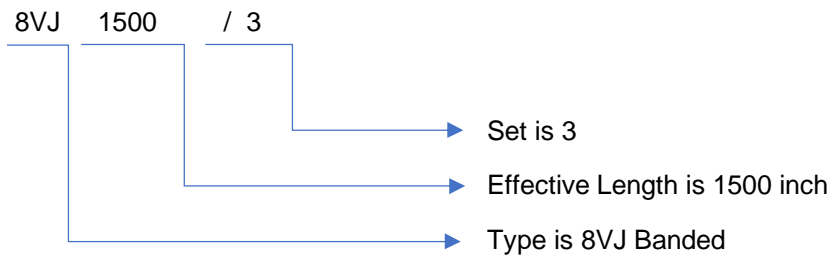
reference	effective length	reference	effective length	reference	effective length	reference	effective length
3VJ1400	1400	3VJ1900	1900	3VJ2500	2500	3VJ3350	3350
3VJ1500	1500	3VJ2000	2000	3VJ2650	2650	3VJ3550	3550
3VJ1600	1600	3VJ2120	2120	3VJ2800	2800		
3VJ1700	1700	3VJ2240	2240	3VJ3000	3000		
3VJ1800	1800	3VJ2360	2360	3VJ3150	3150		

5VJ references

reference	effective length	reference	effective length	reference	effective length	reference	effective length
5VJ1400	1400	5VJ2360	2360	5VJ4000	4000	5VJ6700	6700
5VJ1500	1500	5VJ2500	2500	5VJ4250	4250	5VJ7100	7100
5VJ1600	1600	5VJ2650	2650	5VJ4500	4500	5VJ7500	7500
5VJ1700	1700	5VJ2800	2800	5VJ4750	4750	5VJ8000	8000
5VJ1800	1800	5VJ3000	3000	5VJ5000	5000	5VJ8500	8500
5VJ1900	1900	5VJ3150	3150	5VJ5300	5300	5VJ9000	9000
5VJ2000	2000	5VJ3350	3350	5VJ5600	5600		
5VJ2120	2120	5VJ3550	3550	5VJ6000	6000		
5VJ2240	2240	5VJ3750	3750	5VJ6300	6300		

8VJ references

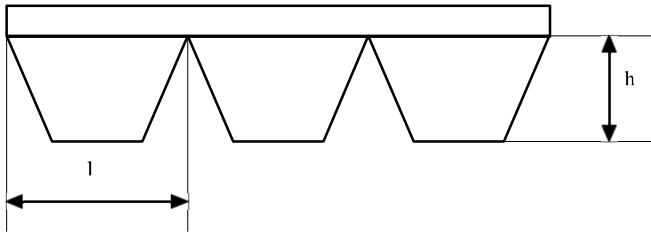
Example of mark 8 VJ



reference	effective length	reference	effective length	reference	effective length	reference	effective length
8VJ1000	2540	8VJ1600	4065	8VJ2500	6350	8VJ4000	10160
8VJ1060	2690	8VJ1700	4320	8VJ2650	6730	8VJ4250	10795
8VJ1120	2845	8VJ1800	4570	8VJ2800	7110	8VJ4500	11430
8VJ1180	2995	8VJ1900	4825	8VJ3000	7620	8VJ4750	12065
8VJ1250	3175	8VJ2000	5080	8VJ3150	8000	8VJ5000	12700
8VJ1320	3355	8VJ2120	5385	8VJ3350	8510	8VJ5600	14225
8VJ1400	3555	8VJ2240	5690	8VJ3550	9015	8VJ6000	15240
8VJ1500	3810	8VJ2360	5995	8VJ3750	9525		

Banded classical V-belt

Production type	Top Width l	Pitch Distance	Height h	Angle	Length Range (inch)	Length Range (mm)	Factory Mark
AJ	13.6	16.6	10	40°	70 - 197	1800 - 5000	Li
BJ	17	19	13	40°	47 - 394	1200 - 10000	Li
CJ	22.4	25.5	16	40°	79 - 590	2000 - 15000	Li
DJ	32.8	37.0	21.5	40°	118 - 590	3000 - 15000	Li



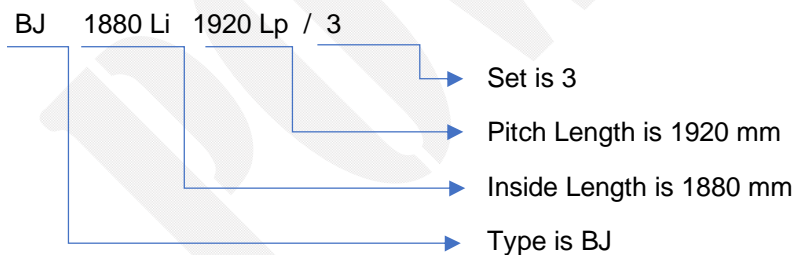
Features

Banded classical V-belts are composed of multiple classical V-belts which are connected into a whole. They effectively solve problems such as wobbling, smacking and turning over occurred in single belt operation while ensuring equal stress of each belt and a large conveying load.

Marking

The marking of banded classical V-belts stipulates model types banding number and length with factory mark in sequence. V-belts of the types are marked according to the inside length of factory V-belts. The length conversion table is available for conversion between various models.

Example of mark



Banded edge cogged V-belt

Production type	Pitch distance	Height	Angle	Length Range (inch)	Length Range (mm)	Factory Mark
AX	15.88	11.5	40°	31 - 198	812 - 5004	Li
BX	19.05	13	40°	35 - 198	889 - 5004	Li
CX	25.4	17	40°	36 - 198	931 - 5004	Li
3VX	10.3	10	40°	31 - 198	812 - 5004	Li
5VX	17.5	16	40°	35 - 198	889 - 5004	Li

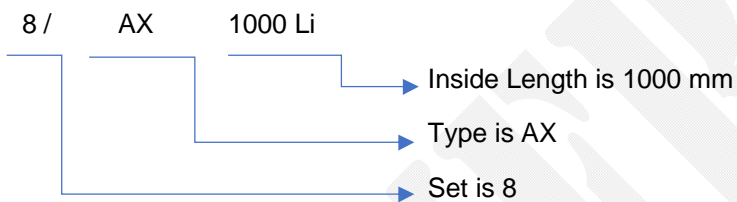
Features

Industrial cutting edge joint belt feature a long life, excellent operating performance, good stability and so on. It is possible to prevent the belt from oscillating and inverting in the long center distance transmission.

Marking

The marking of industrial cutting edge joint belt represent the inside length of factory V-belts. The length conversion table is available for conversion between various models.

Example of mark



6 Agricultural V-BELT

Production type	Top Width	Pitch Width	Height	Length Range (inch)	Length Range (mm)	Factory Mark
HI	25.4	23.6	12.7	87 - 158	2233 - 3995	Li
HJ	31.8	29.6	15.1	47 - 180	1215 - 4570	Li
HK	38.1	35.5	17.5	56 - 101	1426 - 2560	Li
HL	44.5	41.4	19.8	59 - 156	1500 - 3940	Li
HM	50.8	47.3	22.2	79 - 152	2013 - 3854	Li

Features

Agricultural V-belts feature, smooth transmission, small mechanical vibration, wide applicability and convenient maintenance.

Marking

The marking of agricultural V-belts show the inside length of factory V-belts. The length conversion table is available for conversion between different models.

Example of mark

HK 2700 Li



7 Industrial Timing Belt

Pitch : MXL, XL, L, H, XH, XXH

Gear Code	Pitch	Tooth Height	Belt Thickness	Length Range (mm)
MXL	2.032	0.51	1.14	52.83 - 3810.00
XL	5.080	1.27	2.30	111.76 - 5405.12
L	9.525	1.91	3.60	171.45 - 7620.00
H	12.700	2.29	4.30	368.30 - 7620.00
XH	22.225	6.35	11.20	1177.93 - 5778.50
XXH	31.750	9.53	15.70	1587.50 - 7620.00

Features

Endless timing belt, no slip, teeth with trapezoidal profile, glass fiber reinforcement with resist tightening and elongation, mix of neoprene rubber, precision moLp teeth, protected coated in nylon with decreases the friction.

Efficiency : 98 %

Working temperature : - 34°C to +85°C

MXL references

Reference	Lp	Teeth Nb	Reference	Lp	Teeth Nb	Reference	Lp	Teeth Nb	Reference	Lp	Teeth Nb
288-MXL	73,15	36	800-MXL	203,20	100	1768-MXL	449,07	221	2976-MXL	755,90	372
296-MXL	75,18	37	824-MXL	209,29	103	1800-MXL	457,20	225	3120-MXL	792,48	390
360-MXL	91,44	45	848-MXL	215,39	106	1832-MXL	465,33	229	3200-MXL	812,80	400
424-MXL	107,69	53	864-MXL	219,45	108	1856-MXL	471,42	232	3264-MXL	829,05	408
440-MXL	111,76	55	880-MXL	223,52	110	1880-MXL	477,52	235	3296-MXL	837,18	412
456-MXL	115,82	57	944-MXL	239,77	118	1960-MXL	497,84	245	3360-MXL	853,44	420
472-MXL	119,89	59	976-MXL	247,90	122	1984-MXL	503,93	248	3392-MXL	861,56	424
488-MXL	123,95	61	1016-MXL	258,06	127	1992-MXL	505,96	249	3448-MXL	875,79	431
520-MXL	132,08	65	1040-MXL	264,16	130	2048-MXL	520,19	256	3472-MXL	881,88	434
544-MXL	138,17	68	1072-MXL	272,28	134	2136-MXL	542,54	267	3704-MXL	940,81	463
560-MXL	142,24	70	1120-MXL	284,48	140	2240-MXL	568,96	280	3800-MXL	965,20	475
576-MXL	146,30	72	1160-MXL	294,64	145	2360-MXL	599,44	295	3904-MXL	991,61	488
592-MXL	150,36	74	1264-MXL	321,05	158	2384-MXL	605,53	298	3984-MXL	1011,93	498
608-MXL	154,43	76	1280-MXL	325,12	160	2400-MXL	609,60	300	4000-MXL	1016,00	500
632-MXL	160,52	79	1320-MXL	335,28	165	2520-MXL	640,08	315	4040-MXL	1026,16	505
648-MXL	164,59	81	1400-MXL	355,60	175	2544-MXL	646,17	318	4368-MXL	1109,47	546
664-MXL	168,65	83	1472-MXL	373,88	184	2608-MXL	662,43	326	4736-MXL	1202,94	592
680-MXL	172,72	85	1520-MXL	386,08	190	2776-MXL	705,10	347	4896-MXL	1243,58	612
704-MXL	178,81	88	1560-MXL	396,24	195	2864-MXL	727,45	358	5448-MXL	1383,79	681
736-MXL	186,94	92	1600-MXL	406,40	200	2880-MXL	731,52	360			
760-MXL	193,04	95	1680-MXL	426,72	210	2968-MXL	753,87	371			

Lp = Pitch Length

Sleeve : 400 mm width (For large quantities : can make cutting operation with width 3.2 mm (code012), 4.8 mm (code 019)).

POWERBELT

XL references

Reference	Lp	Teeth Nb	Reference	Lp	Teeth Nb	Reference	Lp	Teeth Nb	Reference	Lp	Teeth Nb
46-XL	116,84	23	128-XL	325,12	64	198-XL	502,92	99	340-XL	863,60	170
50-XL	127,00	25	130-XL	330,20	65	200-XL	508,00	100	344-XL	873,76	172
58-XL	147,32	29	132-XL	335,28	66	202-XL	513,08	101	348-XL	883,92	174
60-XL	152,40	30	134-XL	340,36	67	204-XL	518,16	102	350-XL	889,00	175
66-XL	167,64	33	136-XL	345,44	68	208-XL	528,32	104	352-XL	894,08	176
70-XL	177,80	35	138-XL	350,52	69	210-XL	533,40	105	362-XL	919,48	181
76-XL	193,04	38	140-XL	355,60	70	212-XL	538,48	106	372-XL	944,88	186
78-XL	198,12	39	142-XL	360,68	71	214-XL	543,56	107	380-XL	965,20	190
80-XL	203,20	40	144-XL	365,76	72	220-XL	558,80	110	382-XL	970,28	191
84-XL	213,36	42	146-XL	370,84	73	228-XL	579,12	114	384-XL	975,36	192
86-XL	218,44	43	148-XL	375,92	74	230-XL	584,20	115	390-XL	990,60	195
88-XL	223,52	44	150-XL	381,00	75	232-XL	589,28	116	392-XL	995,68	196
90-XL	228,60	45	154-XL	391,16	77	234-XL	594,36	117	404-XL	1026,16	202
92-XL	233,68	46	156-XL	396,24	78	240-XL	609,60	120	412-XL	1046,48	206
94-XL	238,76	47	158-XL	401,32	79	250-XL	635,00	125	424-XL	1076,96	212
96-XL	243,84	48	160-XL	406,40	80	260-XL	660,40	130	432-XL	1097,28	216
98-XL	248,92	49	164-XL	416,56	82	264-XL	670,56	132	434-XL	1102,36	217
100-XL	254,00	50	166-XL	421,64	83	270-XL	685,80	135	438-XL	1112,52	219
102-XL	259,08	51	170-XL	431,80	85	274-XL	695,96	137	450-XL	1143,00	225
106-XL	269,24	53	174-XL	441,96	87	280-XL	711,20	140	460-XL	1168,40	230
108-XL	274,32	54	176-XL	447,04	88	284-XL	721,36	142	490-XL	1244,60	245
110-XL	279,40	55	178-XL	452,12	89	286-XL	726,44	143	506-XL	1285,24	253
112-XL	284,48	56	180-XL	457,20	90	290-XL	736,60	145	540-XL	1371,60	270
114-XL	289,56	57	182-XL	462,28	91	296-XL	751,84	148	554-XL	1407,16	277
116-XL	294,64	58	184-XL	467,36	92	300-XL	762,00	150	564-XL	1432,56	282
118-XL	299,72	59	188-XL	477,52	94	306-XL	777,24	153	580-XL	1473,20	290
120-XL	304,80	60	190-XL	482,60	95	310-XL	787,40	155	592-XL	1503,68	296
122-XL	309,88	61	192-XL	487,68	96	316-XL	802,64	158	672-XL	1706,88	336
124-XL	314,96	62	194-XL	492,76	97	322-XL	817,88	161	736-XL	1869,44	368
126-XL	320,04	63	196-XL	497,84	98	330-XL	838,20	165	770-XL	1955,80	385

Lp = Pitch Length

Sleeve : 400 mm width (For large quantities : can make cutting operation with width 6.4 mm (code 025), 7.9 mm mm (code 031), 9.5 mm (code 037)).

L references

Reference	Lp	Teeth Nb	Reference	Lp	Teeth Nb	Reference	Lp	Teeth Nb	Reference	Lp	Teeth Nb
124-L	314,33	33	210-L	533,40	56	285-L	723,90	76	450-L	1143,00	120
135-L	342,90	36	225-L	571,50	60	300-L	762,00	80	461-L	1171,58	123
150-L	381,00	40	236-L	600,08	63	322-L	819,15	86	480-L	1219,20	128
165-L	419,10	44	240-L	609,60	64	345-L	876,30	92	510-L	1295,40	136
169-L	428,63	45	244-L	619,13	65	367-L	933,45	98	540-L	1371,60	144
172-L	438,15	46	251-L	638,18	67	390-L	990,60	104	600-L	1524,00	160
187-L	476,25	50	255-L	647,70	68	405-L	1028,70	108	630-L	1600,20	168
202-L	514,35	54	270-L	685,80	72	420-L	1066,80	112	660-L	1676,40	176

Lp = Pitch Length

Sleeve : 400 mm width (For large quantities : can make cutting operation with width 12.7 mm (code 050), 19.1 mm (code 075), 25.4 mm (code 100)).

H references

Reference	Lp	Teeth Nb	Reference	Lp	Teeth Nb	Reference	Lp	Teeth Nb	Reference	Lp	Teeth Nb
240-H	609,60	48	420-H	1066,80	84	615-H	1562,10	123	1000-H	2540,00	200
255-H	647,70	51	440-H	1117,60	88	630-H	1600,20	126	1100-H	2794,00	220
270-H	685,80	54	450-H	1143,00	90	660-H	1676,40	132	1130-H	2870,20	226
300-H	762,00	60	480-H	1219,20	96	700-H	1778,00	140	1250-H	3175,00	250
310-H	787,40	62	485-H	1231,90	97	750-H	1905,00	150	1325-H	3365,50	265
330-H	838,20	66	510-H	1295,40	102	800-H	2032,00	160	1400-H	3556,00	280
360-H	914,40	72	520-H	1320,80	104	850-H	2159,00	170	1460-H	3708,40	292
370-H	939,80	74	540-H	1371,60	108	885-H	2247,90	177	1700-H	4318,00	340
375-H	952,50	75	570-H	1447,80	114	900-H	2286,00	180			
390-H	990,60	78	600-H	1524,00	120	905-H	2298,70	181			

Lp = Pitch Length

Sleeve : 400 mm width (For large quantities : can make cutting operation with width 19.1 mm (code 075), 25.4 mm (code 100), 38.1mm (code150), 50.8 mm (code 200), 76.2 mm (code300)).

XH & XXH references

Reference	Lp	Teeth Nb	Reference	Lp	Teeth Nb	Reference	Lp	Teeth Nb
507-XH	1289,05	58	980-XH	2489,20	112	700-XXH	1778,00	56.00
560-XH	1422,40	64	1120-XH	2844,80	128	800-XXH	2032,00	64.00
630-XH	1600,20	72	1260-XH	3200,40	144	900-XXH	2286,00	72.00
700-XH	1778,00	80	1400-XH	3556,00	160	1000-XXH	2540,00	80.00
770-XH	1955,80	88	1540-XH	3911,60	176	1200-XXH	3048,00	96.00
787-XH	2000,25	90	1680-XH	4267,20	192	1400-XXH	3556,00	112.00
831-XH	2111,38	95	1750-XH	4445,00	200	1600-XXH	4064,00	128.00
840-XH	2133,60	96				1800-XXH	4572,00	144.00

Lp = Pitch Length

Sleeve : 400 mm width (For large quantities : can make cutting operation with width 50.8 mm (code 200), 76.2 mm (code300), 101.6 mm (code 400), 127 mm (code 500)).

Pitch : H 3M, H 5M, H 8M, H 14M, H 20M

Gear Code	Pitch	Tooth Height	Belt Thickness	Length Range (mm)
H3M	3	1.17	2.40	60.00 - 3390.00
H5M	5	2.06	3.80	180.00 - 7000.00
H8M	8	3.36	6.00	184.00 - 7600.00
H14M	14	6.02	10.00	966.00 7560.00
H20M	20	8.40	13.20	2000.00 - 6600.00

Features

Endless timing belt, no slip, teeth with trapezoidal profile, glass fiber reinforcement with resist tightening and elongation, mix of neoprene rubber, precision moLp teeth, protected coated in nylon with decreases the friction.

Efficiency : 98 %

Working temperature : - 34°C to +85°C

POWERBELT

H 3M references

Reference	Lp	Teeth Nb	Reference	Lp	Teeth Nb	Reference	Lp	Teeth Nb	Reference	Lp	Teeth Nb
105-3M	105	35	225-3M	225	75	372-3M	372	124	633-3M	633	211
111-3M	111	37	234-3M	234	78	381-3M	381	127	645-3M	645	215
120-3M	120	40	237-3M	237	79	384-3M	384	128	648-3M	648	216
123-3M	123	41	243-3M	243	81	420-3M	420	140	669-3M	669	223
126-3M	126	42	246-3M	246	82	435-3M	435	145	672-3M	672	224
129-3M	129	43	249-3M	249	83	447-3M	447	149	681-3M	681	227
141-3M	141	47	252-3M	252	84	462-3M	462	154	711-3M	711	237
144-3M	144	48	255-3M	255	85	474-3M	474	158	720-3M	720	240
150-3M	150	50	267-3M	267	89	477-3M	477	159	735-3M	735	245
156-3M	156	52	276-3M	276	92	480-3M	480	160	738-3M	738	246
159-3M	159	53	282-3M	282	94	486-3M	486	162	753-3M	753	251
165-3M	165	55	285-3M	285	95	489-3M	489	163	804-3M	804	268
168-3M	168	56	288-3M	288	96	501-3M	501	167	822-3M	822	274
171-3M	171	57	291-3M	291	97	513-3M	513	171	882-3M	882	294
174-3M	174	58	294-3M	294	98	522-3M	522	174	945-3M	945	315
177-3M	177	59	297-3M	297	99	525-3M	525	175	981-3M	981	327
180-3M	180	60	300-3M	300	100	531-3M	531	177	1002-3M	1002	334
183-3M	183	61	306-3M	306	102	537-3M	537	179	1071-3M	1071	357
186-3M	186	62	312-3M	312	104	552-3M	552	184	1080-3M	1080	360
189-3M	189	63	315-3M	315	105	558-3M	558	186	1176-3M	1176	392
192-3M	192	64	318-3M	318	106	564-3M	564	188	1245-3M	1245	415
195-3M	195	65	330-3M	330	110	570-3M	570	190	1263-3M	1263	421
201-3M	201	67	333-3M	333	111	573-3M	573	191	1500-3M	1500	500
204-3M	204	68	336-3M	336	112	582-3M	582	194	1530-3M	1530	510
210-3M	210	70	339-3M	339	113	591-3M	591	197	1863-3M	1863	621
213-3M	213	71	342-3M	342	114	594-3M	594	198	1926-3M	1926	642
216-3M	216	72	345-3M	345	115	600-3M	600	200			
219-3M	219	73	357-3M	357	119	612-3M	612	204			
222-3M	222	74	363-3M	363	121	627-3M	627	209			

Lp = Pitch Length

Sleeve : 400 mm width (For large quantities : can make cutting operation with width 9 mm, 15 mm, 25 mm)

H 5M references

Reference	Lp	Teeth Nb	Reference	Lp	Teeth Nb	Reference	Lp	Teeth Nb	Reference	Lp	Teeth Nb
120-5M	120.00	24.00	405-5M	405.00	81.00	670-5M	670.00	134.00	1000-5M	1000.00	200.00
180-5M	180.00	36.00	420-5M	420.00	84.00	695-5M	695.00	139.00	1025-5M	1025.00	205.00
225-5M	225.00	45.00	425-5M	425.00	85.00	700-5M	700.00	140.00	1035-5M	1035.00	207.00
255-5M	255.00	51.00	450-5M	450.00	90.00	710-5M	710.00	142.00	1050-5M	1050.00	210.00
265-5M	265.00	53.00	460-5M	460.00	92.00	720-5M	720.00	144.00	1100-5M	1100.00	220.00
270-5M	270.00	54.00	475-5M	475.00	95.00	740-5M	740.00	148.00	1125-5M	1125.00	225.00
275-5M	275.00	55.00	500-5M	500.00	100.00	750-5M	750.00	150.00	1135-5M	1135.00	227.00
280-5M	280.00	56.00	510-5M	510.00	102.00	755-5M	755.00	151.00	1175-5M	1175.00	235.00
295-5M	295.00	59.00	520-5M	520.00	104.00	770-5M	770.00	154.00	1200-5M	1200.00	240.00
300-5M	300.00	60.00	525-5M	525.00	105.00	775-5M	775.00	155.00	1225-5M	1225.00	245.00
305-5M	305.00	61.00	535-5M	535.00	107.00	800-5M	800.00	160.00	1270-5M	1270.00	254.00
325-5M	325.00	65.00	550-5M	550.00	110.00	825-5M	825.00	165.00	1350-5M	1350.00	270.00
330-5M	330.00	66.00	560-5M	560.00	112.00	835-5M	835.00	167.00	1380-5M	1380.00	276.00
335-5M	335.00	67.00	565-5M	565.00	113.00	860-5M	860.00	172.00	1420-5M	1420.00	284.00
340-5M	340.00	68.00	575-5M	575.00	115.00	870-5M	870.00	174.00	1595-5M	1595.00	319.00
345-5M	345.00	69.00	580-5M	580.00	116.00	890-5M	890.00	178.00	1690-5M	1690.00	338.00
350-5M	350.00	70.00	600-5M	600.00	120.00	900-5M	900.00	180.00	1790-5M	1790.00	358.00
360-5M	360.00	72.00	610-5M	610.00	122.00	925-5M	925.00	185.00	1870-5M	1870.00	374.00
365-5M	365.00	73.00	615-5M	615.00	123.00	935-5M	935.00	187.00	2100-5M	2100.00	420.00
370-5M	370.00	74.00	635-5M	635.00	127.00	940-5M	940.00	188.00	2350-5M	2350.00	470.00
375-5M	375.00	75.00	640-5M	640.00	128.00	950-5M	950.00	190.00			
385-5M	385.00	77.00	645-5M	645.00	129.00	965-5M	965.00	193.00			
400-5M	400.00	80.00	665-5M	665.00	133.00	980-5M	980.00	196.00			

Lp = Pitch Length

Sleeve : 400 mm width. (For large quantities : can make cutting operation with width 9 mm, 15 mm, 25 mm)

H 8M references

Reference	Lp	Teeth Nb	Reference	Lp	Teeth Nb	Reference	Lp	Teeth Nb	Reference	Lp	Teeth Nb
264-8M	264	33	776-8M	776	97	1176-8M	1176	147	1600-8M	1600	200
320-8M	320	40	800-8M	800	100	1200-8M	1200	150	1696-8M	1696	212
376-8M	376	47	856-8M	856	107	1216-8M	1216	152	1728-8M	1728	216
384-8M	384	48	880-8M	880	110	1224-8M	1224	153	1760-8M	1760	220
424-8M	424	53	912-8M	912	114	1256-8M	1256	157	1800-8M	1800	225
480-8M	480	60	920-8M	920	115	1264-8M	1264	158	1896-8M	1896	237
512-8M	512	64	960-8M	960	120	1280-8M	1280	160	1904-8M	1904	238
520-8M	520	65	968-8M	968	121	1304-8M	1304	163	2000-8M	2000	250
560-8M	560	70	976-8M	976	122	1360-8M	1360	170	2080-8M	2080	260
600-8M	600	75	1000-8M	1000	125	1424-8M	1424	178	2200-8M	2200	275
608-8M	608	76	1040-8M	1040	130	1432-8M	1432	179	2240-8M	2240	280
624-8M	624	78	1064-8M	1064	133	1440-8M	1440	180	2272-8M	2272	284
640-8M	640	80	1080-8M	1080	135	1512-8M	1512	189	2400-8M	2400	300
656-8M	656	82	1120-8M	1120	140	1520-8M	1520	190	2504-8M	2504	313
720-8M	720	90	1128-8M	1128	141	1552-8M	1552	194	2600-8M	2600	325
760-8M	760	95	1160-8M	1160	145	1584-8M	1584	198	2800-8M	2800	350

Lp = Pitch Length

Sleeve : 400 mm width. (For large quantities : can make cutting operation with width 20 mm, 30 mm, 50 mm, 85 mm)

H 14M & H 20M references

Reference	Lp	Teeth Nb	Reference	Lp	Teeth Nb	Reference	Lp	Teeth Nb	Reference	Lp	Teeth Nb
784-14M	784	56	2310-14M	2310	165	2000-20M	2000	100	6000-20M	6000	300
826-14M	826	59	2450-14M	2450	175	2500-20M	2500	125	6200-20M	6200	310
924-14M	924	66	2590-14M	2590	185	3400-20M	3400	170	6400-20M	6400	320
966-14M	966	69	2800-14M	2800	200	3800-20M	3800	190	6600-20M	6600	330
1092-14M	1092	78	3150-14M	3150	225	4200-20M	4200	210			
1190-14M	1190	85	3500-14M	3500	250	4600-20M	4600	230			
1400-14M	1400	100	3850-14M	3850	275	5000-20M	5000	250			
1610-14M	1610	115	4004-14M	4004	286	5200-20M	5200	260			
1778-14M	1778	127	4326-14M	4326	309	5400-20M	5400	270			
1890-14M	1890	135	4578-14M	4578	327	5600-20M	5600	280			
2100-14M	2100	150				5800-20M	5800	290			

Lp = Pitch Length

Sleeve : 400 mm width

For large quantities 14M : can make cutting operation with width 40 mm, 50 mm, 85 mm, 115 mm, 170 mm

For large quantities 20M : can make cutting operation with width 115 mm, 170 mm, 230 mm, 290 mm, 340 mm

7 Polyurethane Timing Belt

Features

The belts are designed to last and provide both energy efficient performance. the polyurethane strap provides extreme resistance to wear and fatigue. Product quality allows tolerances that are both tight and precise as well as a perfect meshing of the teeth.

Sizes pitch : T2.5, T5, T10

Pitch	Lp	Teeth Nb	Pitch	Lp	Teeth Nb	Pitch	Lp	Teeth Nb	Pitch	Lp	Teeth Nb
PU-T2.5	120	48	PU-T2.5	245	98	PU-T2.5	380	152	PU-T2.5	650	260
PU-T2.5	145	58	PU-T2.5	265	106	PU-T2.5	420	168	PU-T2.5	780	312
PU-T2.5	160	64	PU-T2.5	285	114	PU-T2.5	480	192	PU-T2.5	915	366
PU-T2.5	177,5	71	PU-T2.5	305	122	PU-T2.5	500	200	PU-T2.5	950	380
PU-T2.5	200	80	PU-T2.5	317,5	127	PU-T2.5	600	240			
PU-T2.5	230	92	PU-T2.5	330	132	PU-T2.5	620	248			

Pitch	Lp	Teeth Nb	Pitch	Lp	Teeth Nb	Pitch	Lp	Teeth Nb	Pitch	Lp	Teeth Nb
PU-T5	150	30	PU-T5	315	63	PU-T5	525	105	PU-T5	725	145
PU-T5	165	33	PU-T5	330	66	PU-T5	545	109	PU-T5	750	150
PU-T5	180	36	PU-T5	340	68	PU-T5	550	110	PU-T5	780	156
PU-T5	185	37	PU-T5	350	70	PU-T5	560	112	PU-T5	800	160
PU-T5	200	40	PU-T5	355	71	PU-T5	575	115	PU-T5	815	163
PU-T5	215	43	PU-T5	365	73	PU-T5	590	118	PU-T5	840	168
PU-T5	220	44	PU-T5	390	78	PU-T5	600	120	PU-T5	850	170
PU-T5	225	45	PU-T5	400	80	PU-T5	610	122	PU-T5	900	180
PU-T5	245	49	PU-T5	410	82	PU-T5	620	124	PU-T5	940	188
PU-T5	250	50	PU-T5	420	84	PU-T5	630	126	PU-T5	990	198
PU-T5	255	51	PU-T5	445	89	PU-T5	640	128	PU-T5	1075	215
PU-T5	260	52	PU-T5	450	90	PU-T5	650	130	PU-T5	1100	220
PU-T5	270	54	PU-T5	455	91	PU-T5	660	132	PU-T5	1215	243
PU-T5	275	55	PU-T5	475	95	PU-T5	675	135	PU-T5	1315	263
PU-T5	280	56	PU-T5	480	96	PU-T5	690	138			
PU-T5	295	59	PU-T5	500	100	PU-T5	700	140			
PU-T5	305	61	PU-T5	510	102	PU-T5	720	144			

Pitch	Lp	Teeth Nb	Pitch	Lp	Teeth Nb	Pitch	Lp	Teeth Nb	Pitch	Lp	Teeth Nb
PU-T10	260	26	PU-T10	720	72	PU-T10	970	97	PU-T10	1390	139
PU-T10	370	37	PU-T10	730	73	PU-T10	980	98	PU-T10	1400	140
PU-T10	400	40	PU-T10	750	75	PU-T10	1000	100	PU-T10	1420	142
PU-T10	410	41	PU-T10	780	78	PU-T10	1010	101	PU-T10	1450	145
PU-T10	440	44	PU-T10	800	80	PU-T10	1080	108	PU-T10	1460	146
PU-T10	450	45	PU-T10	810	81	PU-T10	1100	110	PU-T10	1500	150
PU-T10	500	50	PU-T10	840	84	PU-T10	1110	111	PU-T10	1560	156
PU-T10	530	53	PU-T10	850	85	PU-T10	1140	114	PU-T10	1600	160
PU-T10	560	56	PU-T10	880	88	PU-T10	1150	115	PU-T10	1610	161
PU-T10	600	60	PU-T10	890	89	PU-T10	1210	121	PU-T10	1700	170
PU-T10	610	61	PU-T10	900	90	PU-T10	1240	124	PU-T10	1750	175
PU-T10	630	63	PU-T10	910	91	PU-T10	1250	125	PU-T10	1780	178
PU-T10	660	66	PU-T10	920	92	PU-T10	1300	130	PU-T10	1880	188
PU-T10	690	69	PU-T10	950	95	PU-T10	1320	132	PU-T10	1960	196
PU-T10	700	70	PU-T10	960	96	PU-T10	1350	135	PU-T10	2250	225

Sizes pitch : AT5, AT10

Pitch	Lp	Teeth Nb	Pitch	Lp	Teeth Nb	Pitch	Lp	Teeth Nb	Pitch	Lp	Teeth Nb
PU-AT5	225	45	PU-AT5	390	78	PU-AT5	620	124	PU-AT5	975	195
PU-AT5	255	51	PU-AT5	420	84	PU-AT5	630	126	PU-AT5	1050	210
PU-AT5	275	55	PU-AT5	455	91	PU-AT5	660	132	PU-AT5	1125	225
PU-AT5	280	56	PU-AT5	500	100	PU-AT5	720	144	PU-AT5	1500	300
PU-AT5	300	60	PU-AT5	545	109	PU-AT5	750	150			
PU-AT5	340	68	PU-AT5	600	120	PU-AT5	780	156			
PU-AT5	375	75	PU-AT5	610	122	PU-AT5	825	165			

Pitch	Lp	Teeth Nb	Pitch	Lp	Teeth Nb	Pitch	Lp	Teeth Nb	Pitch	Lp	Teeth Nb
PU-AT10	500	50	PU-AT10	800	80	PU-AT10	1010	101	PU-AT10	1400	140
PU-AT10	560	56	PU-AT10	810	81	PU-AT10	1050	105	PU-AT10	1500	150
PU-AT10	610	61	PU-AT10	840	84	PU-AT10	1080	108	PU-AT10	1600	160
PU-AT10	660	66	PU-AT10	890	89	PU-AT10	1150	115	PU-AT10	1700	170
PU-AT10	700	70	PU-AT10	920	92	PU-AT10	1210	121	PU-AT10	1800	180
PU-AT10	730	73	PU-AT10	960	96	PU-AT10	1250	125			
PU-AT10	780	78	PU-AT10	980	98	PU-AT10	1320	132			

8 Poly V-Belt

Type	Pitch mm	Height mm
PJ	2.34	3.50
PK	3.56	4.45
PL	4.70	9.50
PM	9.40	16.50

Features

The truncated profile of the strands improves flexibility, reduces heat accumulation and reduces the risk of cracks in the strands. It also strengthens the transmission power on small diameter pulleys. The high modulus and the low rate of elongation of the traction cords increase resistance to fatigue and impact. The elastomer blend resists heat and oils. The sub-strings part, reinforced with fibers, ensures good stability of the belt.

Benefits are extremely flexible operation and without heat accumulation, very high power per strand, longer service life thanks to the increase in transmissible power, maintains its performance even with external rollers, more compact transmission, strong resistance to abrasion and tears.

PJ references

Ref DIN	RMA	Effective length	Ref DIN	RMA	Effective length	Ref DIN	RMA	Effective length	Ref DIN	RMA	Effective length
7867			7867			7867			7867		
PJ406	160 J	406	PJ955	376 J	955	PJ1233	485 J	1233	PJ1651	650 J	1651
PJ432	170 J	432	PJ965	380 J	965	PJ1244	490 J	1244	PJ1663	655 J	1663
PJ457	180 J	457	PJ1016	400 J	1016	PJ1262	497 J	1262	PJ1752	690 J	1752
PJ483	190 J	483	PJ1041	410 J	1041	PJ1270	500 J	1270	PJ1854	730 J	1854
PJ508	200 J	508	PJ1067	420 J	1067	PJ1280	504 J	1280	PJ1895	746 J	1895
PJ559	220 J	559	PJ1092	430 J	1092	PJ1300	512 J	1300	PJ1910	752 J	1910
PJ584	230 J	584	PJ1105	435 J	1105	PJ1309	515 J	1309	PJ1930	760 J	1930
PJ610	240 J	610	PJ1110	437 J	1110	PJ1321	520 J	1321	PJ1956	770 J	1956
PJ660	260 J	660	PJ1118	440 J	1118	PJ1333	525 J	1333	PJ1981	780 J	1981
PJ711	280 J	711	PJ1123	442 J	1123	PJ1355	534 J	1355	PJ1992	784 J	1992
PJ723	285 J	723	PJ1130	445 J	1130	PJ1371	540 J	1371	PJ2083	820 J	2083
PJ737	290 J	737	PJ1136	447 J	1136	PJ1397	550 J	1397	PJ2210	870 J	2210
PJ762	300 J	762	PJ1150	453 J	1150	PJ1428	562 J	1428	PJ2337	920 J	2337
PJ813	320 J	813	PJ1168	460 J	1168	PJ1439	567 J	1439	PJ2489	980 J	2489
PJ838	330 J	838	PJ1194	470 J	1194	PJ1473	580 J	1473			
PJ864	340 J	864	PJ1200	473 J	1200	PJ1549	610 J	1549			
PJ914	360 J	914	PJ1222	480 J	1222	PJ1600	630 J	1600			

PL references

Ref DIN 7867	RMA	Effective length	Ref DIN 7867	RMA	Effective length	Ref DIN 7867	RMA	Effective length	Ref DIN 7867	RMA	Effective length
PL954	375 L	954	PL1664	655 L	1664	PL2134	840 L	2134	PL2896	1140 L	2895
PL991	390 L	991	PL1715	675 L	1715	PL2197	865 L	2197	PL2921	1150 L	2921
PL1075	423 L	1075	PL1765	695 L	1765	PL2235	880 L	2235	PL2997	1180 L	2997
PL1270	500 L	1270	PL1803	710 L	1803	PL2324	915 L	2324	PL3086	1215 L	3086
PL1333	525 L	1333	PL1842	725 L	1842	PL2362	930 L	2362	PL3125	1230 L	3125
PL1371	540 L	1371	PL1943	765 L	1943	PL2476	975 L	2476	PL3289	1295 L	3289
PL1397	550 L	1397	PL1981	780 L	1981	PL2515	990 L	2515	PL3327	1310 L	3327
PL1422	560 L	1422	PL2019	795 L	2019	PL2705	1065 L	2705	PL3493	1375 L	3493
PL1562	615 L	1562	PL2070	815 L	2070	PL2743	1080 L	2743	PL3696	1455 L	3696
PL1613	635 L	1613	PL2096	825 L	2096	PL2845	1120 L	2845			

PM references

Ref DIN 7867	RMA	Effective length	Ref DIN 7867	RMA	Effective length	Ref DIN 7867	RMA	Effective length	Ref DIN 7867	RMA	Effective length
PM2286	900 M	2286.00	PM3010	1185 M	3010.00	PM4191	1650 M	4191.00	PM6502	2560 M	6502.00
PM2388	940 M	2388.00	PM3124	1230 M	3124.00	PM4470	1760 M	4470.00	PM6883	2710 M	6883.00
PM2515	990 M	2515.00	PM3327	1310 M	3327.00	PM4648	1830 M	4648.00	PM7646	3010 M	7646.00
PM2693	1060 M	2693.00	PM3531	1390 M	3531.00	PM5029	1980 M	5029.00	PM8408	3310 M	8408.00
PM2832	1115 M	2832.00	PM3734	1470 M	3734.00	PM5410	2130 M	5410.00	PM9169	3610 M	9169.00
PM2921	1150 M	2921.00	PM4089	1610 M	4089.00	PM6121	2410 M	6121.00	PM9931	3910 M	9931.00

PM references

Ref DIN 7867	RMA	Width sleeve	Ref DIN 7867	RMA	Width sleeve	Ref DIN 7867	RMA	Width sleeve	Ref DIN 7867	RMA	Width sleeve
PK630	630	308	PK950	950	308	PK1270	1270	308	PK1755	1755	308
PK650	650	308	PK970	970	308	PK1330	1330	308	PK1860	1860	264
PK698	698	308	PK1015	1015	308	PK1345	1345	308	PK1890	1890	264
PK730	730	308	PK1060	1060	308	PK1420	1420	308	PK1980	1980	264
PK775	775	308	PK1090	1090	308	PK1490	1490	308	PK2080	2080	264
PK830	830	308	PK1145	1145	308	PK1555	1555	308	PK2145	2145	264
PK870	870	308	PK1165	1165	308	PK1570	1570	308	PK2280	2280	264
PK885	885	308	PK1200	1200	308	PK1655	1655	308	PK2490	2490	264
PK920	920	308	PK1230	1230	308	PK1700	1700	308			

PK references

Ref DIN 7867	RMA	Width sleeve	Ref DIN 7867	RMA	Width sleeve	Ref DIN 7867	RMA	Width sleeve	Ref DIN 7867	RMA	Width sleeve
PK630	630	308	PK950	950	308	PK1270	1270	308	PK1755	1755	308
PK650	650	308	PK970	970	308	PK1330	1330	308	PK1860	1860	264
PK698	698	308	PK1015	1015	308	PK1345	1345	308	PK1890	1890	264
PK730	730	308	PK1060	1060	308	PK1420	1420	308	PK1980	1980	264
PK775	775	308	PK1090	1090	308	PK1490	1490	308	PK2080	2080	264
PK830	830	308	PK1145	1145	308	PK1555	1555	308	PK2145	2145	264
PK870	870	308	PK1165	1165	308	PK1570	1570	308	PK2280	2280	264
PK885	885	308	PK1200	1200	308	PK1655	1655	308	PK2490	2490	264
PK920	920	308	PK1230	1230	308	PK1700	1700	308			